



MLC902

Rated load: 10KG, 30KG, 50KG, 75KG

Precision: C3

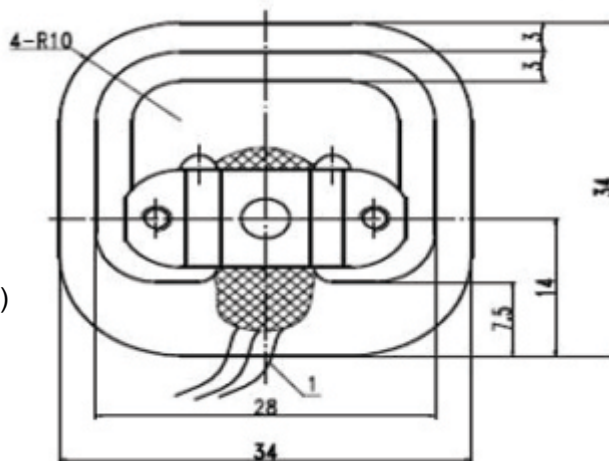
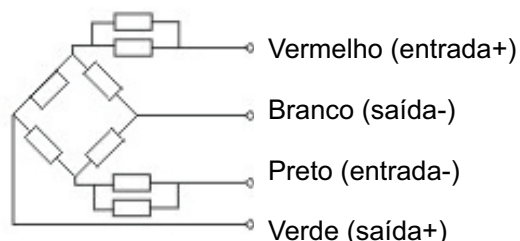
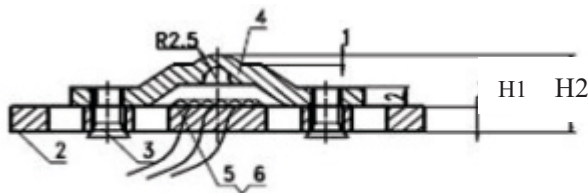
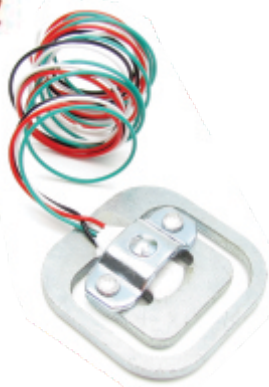
Safe overload:150%

Ultimate overload: 200%

Material:Alloy steel

Apply to: handle scale,kitchen scale,fish scale,body scale,baby scale,post scale,micro fore test equipment

MLC902



REF PIC

Dimension reference

Load range	10kg	30kg	50kg	75kg
H1	1.5	2	2.5	3
H2	6.8	7.3	7.8	8.3
Rated output:	0.5±0.15mv/v	1.0±0.15mv/v	1.0±0.15mv/v	1.0±0.15mv/v

Specification

comprehensive error:	0.2%FS	output resistance:	1000±3Ω
Rated output:	1.0/0.5±0.15mv/v	Insulation resistance:	≥2000MΩ(100VDC)
Non-linearity:	0.2%FS	Excitation voltage:	5~10VDC
Hysteresis:	0.2%FS	compensated temp:	-10~+40℃
Repeatability:	0.15%FS	use temperature:	-20~+55℃
Creep:	0.15%FS/10MIN	temp effect on zero:	0.2%FS/10℃
Zero balance:	±0.3mv	Temp effect on span:	0.2%FS/10℃
Input resistance:	1000±3Ω	defend grade:	IP66